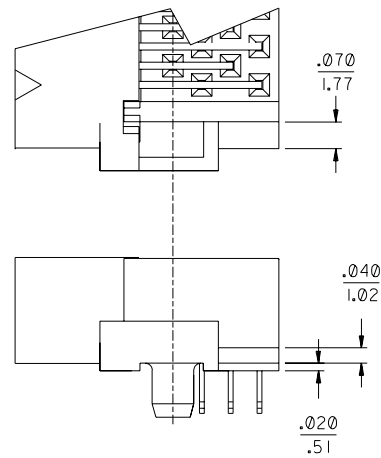
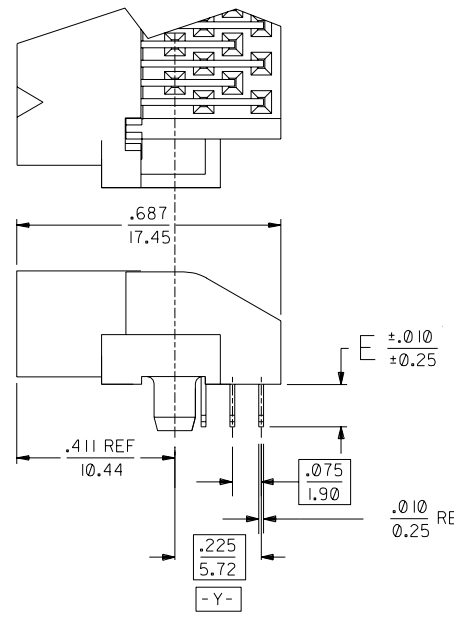
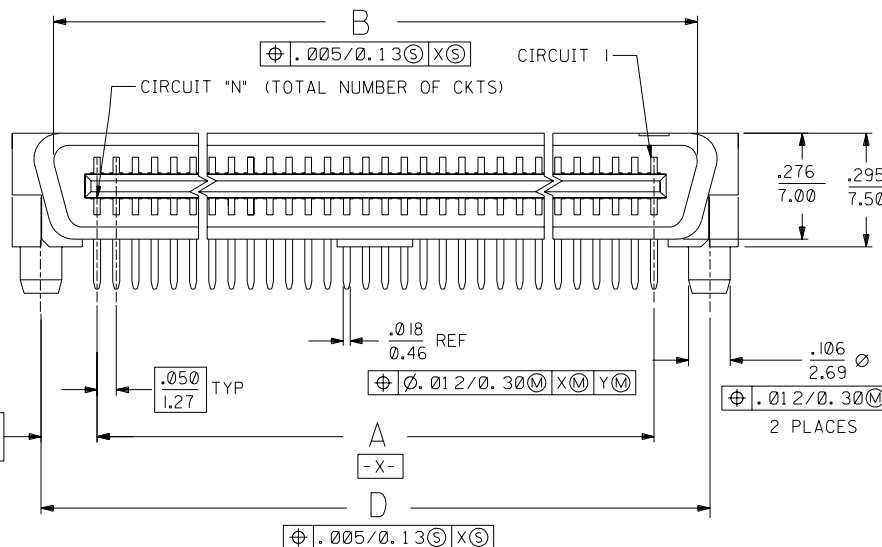


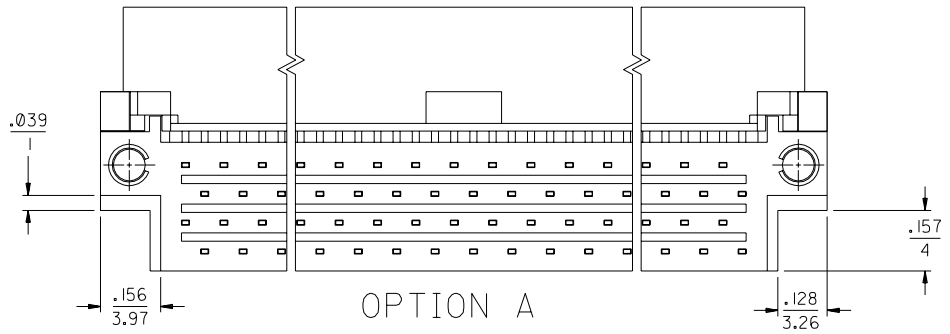
- NOTES:**
- MATERIALS:**  
HOUSING: HIGH TEMPERATURE NYLON, GLASS FILLED, UL 94 V-0.  
COLOR: BLACK  
TERMINALS: BRASS.
  - FINISH:**  
TERMINAL: SELECTIVE GOLD (Au) IN THE CONTACT AREA;  
THICKNESS= .76 MICROMETER (30 MICROINCH) MINIMUM;  
SELECTIVE TIN (Sn) ALLOY IN THE PC TAIL AREA;  
THICKNESS= 1.27 MICROMETER (50 MICROINCH) MINIMUM;  
NICKEL (Ni) UNDERPLATE OVERALL.
  - ASSEMBLY MATES WITH MOLEX P/N SDA-71660-\*\*\*\*
  - CONFORMS TO PRODUCT SPEC: PS-71660.
- ⚠ RECOMMENDED P.C. BOARD THICKNESS IS .062 (1.6).
  - ⚠ FOUR DIGIT DATE CODE (WK. YR.) EXAMPLE 26 96 LOCATED IN AREA SHOWN.
  - ⚠ TOOLING STATUS: "X" INDICATES NO TOOLING AVAILABLE. CONTACT FACTORY FOR FURTHER INFORMATION.



END DETAIL  
OPTION A  
(BOTH ENDS)

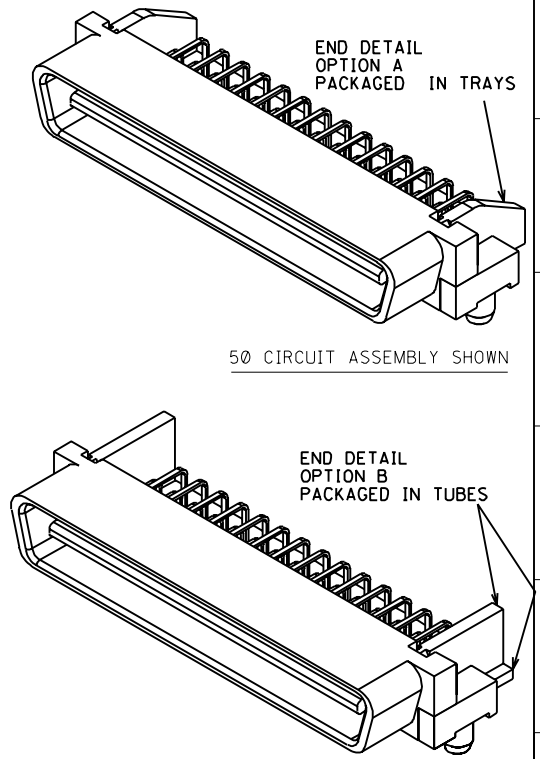
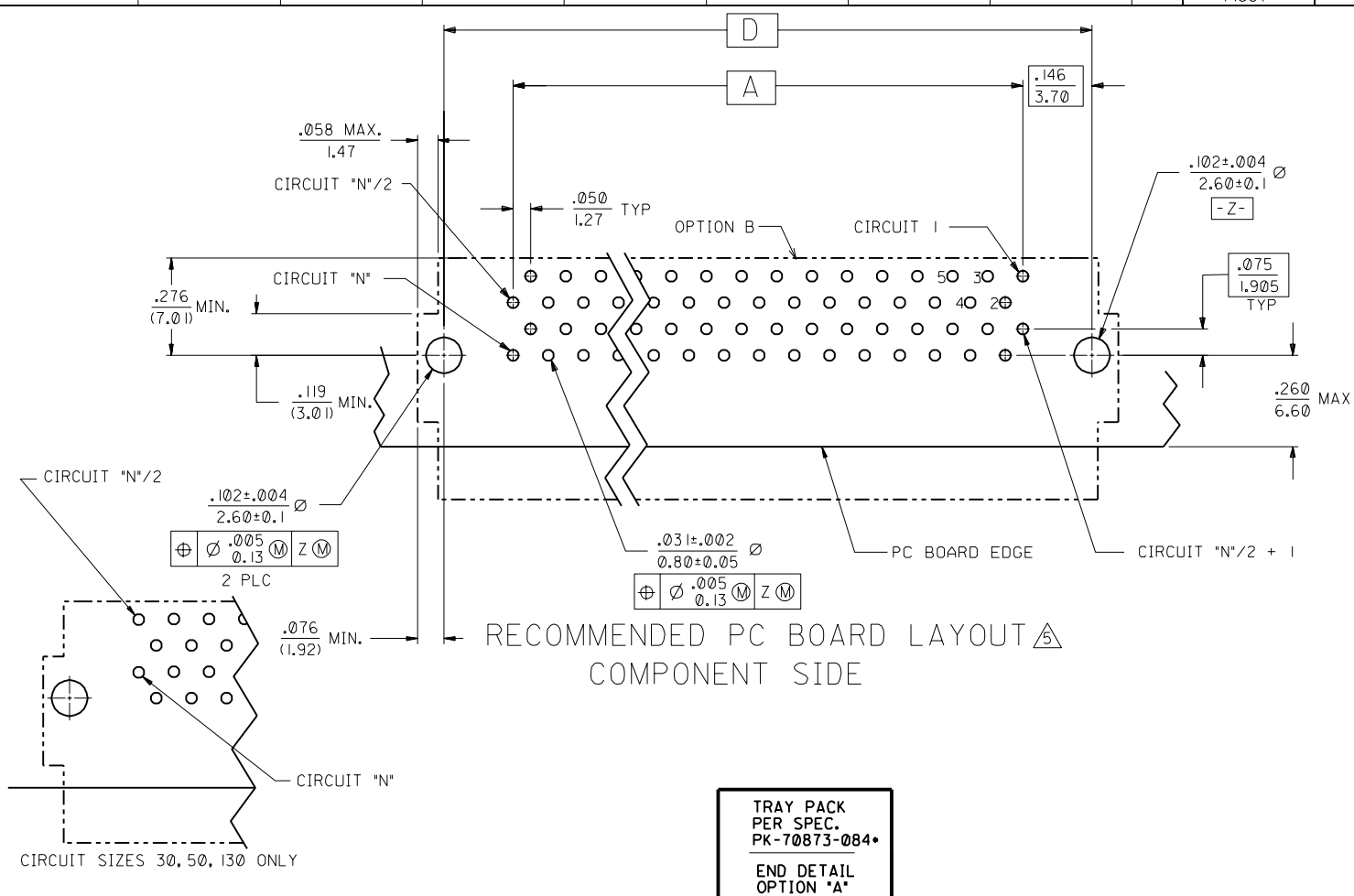
END DETAIL  
OPTION B  
(BOTH ENDS)

**NOTE FOR LEAD FREE CONVERSION:**  
THE PRIMARY SHIPPING CARTON WILL BE LABELED "COMPLIANT TO RoHS DIRECTIVE 2002/95/EC AND ELV ANNEX II OF DIRECTIVE 2000/53/EC". CARTONS WITHOUT THIS LABEL MAY CONTAIN PRODUCT WITH LEAD.



OPTION A

K		REVISED PACKAGING ECN UDT2000-1183 ACHAMMER 00/05/27	DIMENSIONS SHOWN (METRIC) INCH UNLESS OTHERWISE SPECIFIED TOLERANCES: ANGULAR $\pm 1/2^\circ$		$\nabla = 0$ $\blacktriangledown = 0$ REVISE ONLY ON CAD SYSTEM TITLE: SALES ASSEMBLY EBB1 50D RIGHT ANGLE PLUG CONNECTOR	
M	J	LEAD FREE CONV UCP2004-2096 RKADAMS 04/04/23	J	REVISED PER ECN UDT1999-1036 KSMITH 99/05/27	3 PLACE $\pm .010$ --- 2 PLACE $\pm$ --- $\pm 0.25$ 1 PLACE --- $\pm$ ---	SHEET NO. DATE 1 OF 2 2/23/93
L	I	REVISED UDT2001-1097 BSMART 01/04/12	I	REVISED PER ECN U80683 MEAD 97/09/24	DRAFT WHERE APPLICABLE MUST REMAIN WITHIN DIMENSIONS	
LTR.	REVISIONS	LTR.	REVISIONS	DRWG. BY: RAN	CHK'D. BY: RAN	PART NO. SHEET NO. DATE SEE TABLE SDA-71661-2*** FILE NAME: 571661K2 501 MOLEX INC. AND SHOULD NOT BE USED WITHOUT WRITTEN PERMISSION.
				APP'D. BY: CAB	SCALE: 4: 1	DIV. SIZE C C



TRAY PACK  
PER SPEC.  
PK-70873-084•  
END DETAIL  
OPTION \*A\*

	D	C	B	A	CKT (*N')	ITEM NUMBER
.125 (3.18)	3.491 (88.68)	3.642 (92.50)	3.426 (87.02)	3.200 (81.28)	130	71661-2430
	3.241 (82.33)	3.392 (86.15)	3.176 (80.67)	2.950 (74.93)	120	71661-2420
	2.741 (69.63)	2.892 (73.45)	2.676 (67.97)	2.450 (62.23)	100	71661-2400
	2.241 (56.93)	2.392 (60.75)	2.176 (55.27)	1.950 (49.53)	80	71661-2380
	1.941 (49.31)	2.092 (53.13)	1.875 (47.65)	1.650 (41.91)	68	71661-2368
	1.741 (44.23)	1.892 (48.05)	1.676 (42.57)	1.450 (36.83)	60	71661-2360
	1.491 (37.88)	1.642 (41.70)	1.426 (36.22)	1.200 (30.48)	50	71661-2350
	1.241 (31.53)	1.392 (35.35)	1.176 (29.87)	.950 (24.13)	40	71661-2340
.110 (2.79)	.991 (25.18)	1.142 (29.00)	.925 (23.52)	.700 (17.78)	30	71661-2330
	3.491 (88.68)	3.642 (92.50)	3.426 (87.02)	3.200 (81.28)	130	71661-2130
	3.241 (82.33)	3.392 (86.15)	3.176 (80.67)	2.950 (74.93)	120	71661-2120
	2.741 (69.63)	2.892 (73.45)	2.676 (67.97)	2.450 (62.23)	100	71661-2100
	2.241 (56.93)	2.392 (60.75)	2.176 (55.27)	1.950 (49.53)	80	71661-2080
	1.941 (49.31)	2.092 (53.13)	1.875 (47.65)	1.650 (41.91)	68	71661-2068
	1.741 (44.23)	1.892 (48.05)	1.676 (42.57)	1.450 (36.83)	60	71661-2060
	1.491 (37.88)	1.642 (41.70)	1.426 (36.22)	1.200 (30.48)	50	71661-2050
A	1.241 (31.53)	1.392 (35.35)	1.176 (29.87)	.950 (24.13)	40	71661-2040
	.991 (25.18)	1.142 (29.00)	.925 (23.52)	.700 (17.78)	30	71661-2030

L OBSCELTUBE PK  
UDT2001-1097  
BSMART01/04/12

K SEE SH 1

DIMENSIONS SHOWN (METRIC) INCH		▽ = 0 ▼ = 0		REVISE ONLY ON CAD SYSTEM	
UNLESS OTHERWISE SPECIFIED TOLERANCES ANGULAR ± 1/2°					
INCH		METRIC			
3 PLACE	± .010				
2 PLACE	±	± 0.25			
1 PLACE	±	±			
DRAWING WHERE APPLICABLE MUST REMAIN WITHIN DIMENSIONS					
DRWG. BY: RAN	CHK'D. BY: RAN	FILE NAME: S71661XZ.S2		THIS DRAWING CONTAINS INFORMATION THAT IS PROPRIETARY TO MOLEX INC. AND SHOULD NOT BE USED WITHOUT WRITTEN PERMISSION.	
SCALE: 4:1	SEE TABLE		SDA-71661-2***		
MFG. SH.		REV.	LTR.	REVISIONS	
TITLE: SALES ASSEMBLY EBB1 50D RIGHT ANGLE PLUG CONNECTOR		SHEET NO. 2 OF 2		DATE 2/23/93	
MOLEX INCORPORATED		U.S.A.		DIV. C	
L15LE.ILL. 60532		DRWG. NO.		SIZE C	